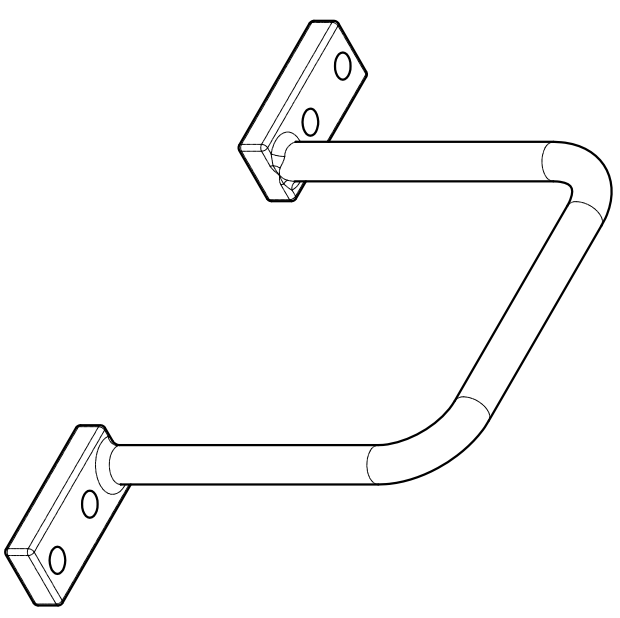
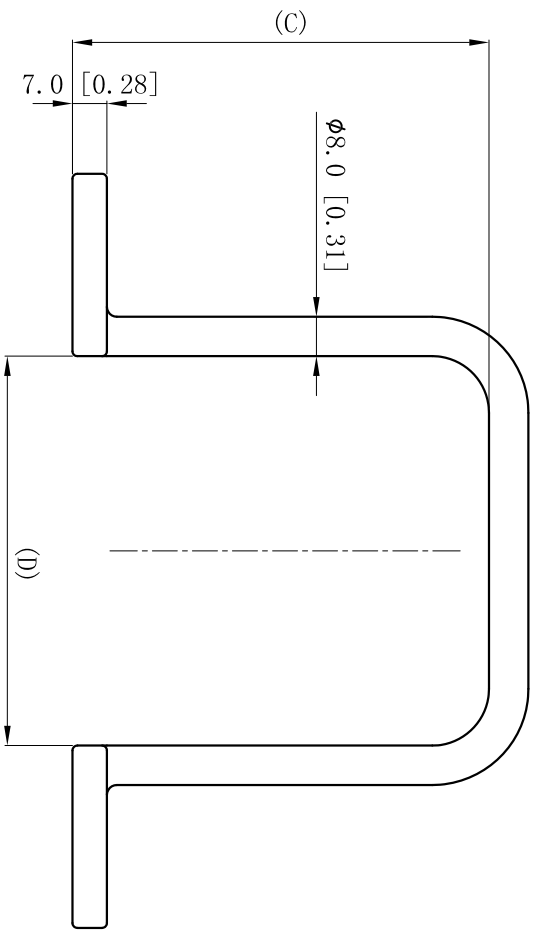
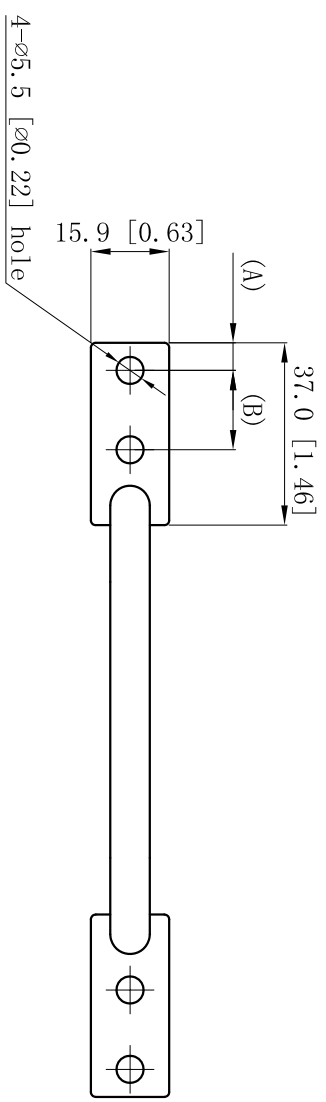


P/N	A	B	C	D
DR-200	6.0 [0.24]	16.1 [0.63]	61.0 [2.40]	49.0 [1.93]
DR-300	6.0 [0.25]	16.1 [0.64]	85.6 [3.37]	81.0 [3.19]
DR-500	6.0 [0.26]	16.1 [0.65]	86.0 [3.38]	131.0 [5.16]

REVISIONS		
SYM.	BY.	DATE



- NOTES:
- 1.All dimensions in millimeters and [inches];
 - 2.Free of sharp edge and burrs,max burr 0.127[0.005].
 - 3.Material: AL 413.2 ; Finish: Cleaning .

SIZE	DWG NO.	REV
A4	DR-XXX	B