



Winnie Industries

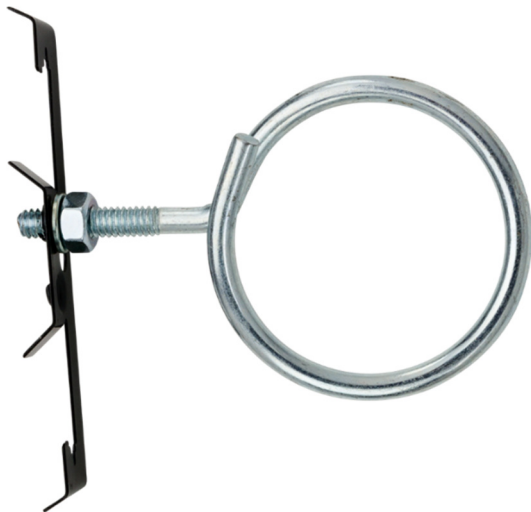
MANUFACTURER OF FASTENING SUPPORTS

Bridle Ring

Bridle Ring with Multi-Functional Clip



Fast and cost-effective alternative cable management solution for voice, data, low voltage or video cabling pathway applications



Features:

- Crafted from heavy-duty, zinc plated steel which allows for great durability & corrosion resistance
- Available in 1.25" & 2" ring diameter *preassembled* on spring steel multi-function (batwing) clip
- Provides support for CAT5e/CAT6 category cable, low-voltage wire, coax, signal & control cable and electrical wire up to 600V
- Designed with spring action that holds management hardware tightly in place after installation
- UL & CUL listed

Application:

- Provides support in the distribution of wire & cable bundles
 - Network/Data
 - Telcom/Voice
 - Broadband, Satellite, CCTV
 - Low Voltage/Security/Fire Alarm
 - Signal/Control Cable
 - Electrical Wire

Installation:

- Fastens to 12-gauge wire (pencil rod) or threaded rod up to 3/8" in diameter
- No tools required for installation



engineered and manufactured to make installs easier

winnieindustries.com



5420 Newport Dr. Unit 62
Rolling Meadows, IL 60008

224-993-0011
sales@winnieindustries.com



Winnie Industries

MANUFACTURER OF FASTENING SUPPORTS

Bridle Ring

Part Numbers

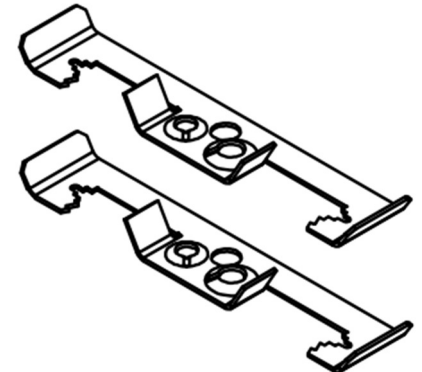
Part #	Description	Box Qty	UPC
WBR125BW34	1-1/4" Bridle Ring, 1/4-20 Thread, Batwing, 12awg Wire, 3/8" Rod	100	811443032455
WBR200BW34	2" Bridle Ring, 1/4-20 Thread, Batwing, 12awg Wire, 3/8" Rod	100	811443032462

- | Fast and cost-effective way to support category, voice, security, fire alarm and video cable |
- | Fully assembled, ready to install straight from the box saving time and reducing cost |
- | Great low-cost alternative to j hook or cable tray |
- | Create a strong, reliable connection without a wall stud, safely supporting cable pathway |
- | Quick & easy to install with anchoring hardware |
- | Can be used horizontally or vertically, making them ideal for multi-directional cable runs |
- | If using a bridle ring with high performance data cable, a saddle is required to ensure proper bend |
- | Non-continuous supports may not exceed spacing of 5' per TIA 569-C.9.7 |



Related Items

Part #	Description
WBR200	2" Saddle Only for Bridle Ring
WBW34	Multi-function (Batwing) Clip for 12awg Wire, 3/8" Rod
W8Z34	Multi-function (Batwing) Clip for 1/2", 5/8" Rod
WBR4T125	1-1/4" Bridle Ring, 1/4-20 Thread
WBR4T200	2" Bridle Ring, 1/4-20 Thread
075GRIPTAPE	3/4" Hook & Loop (Self Gripping) Tape, 75 Ft Roll, Black



Specify Winnie...

- ✓ Since 2015
- ✓ Family-Owned & Operated
- ✓ Personal & Friendly Customer Service



QUICK BUILD
CUSTOM CONFIGURATIONS FAST

*We understand that not all projects can be fulfilled with off-the-shelf products which is why our Quick Build program can deliver custom configurations **FAST!!***

Consult & follow local codes and practices



© Winnie Industries, LLC. All Rights Reserved. Drawings are proprietary and may not be copied or used without express written permission.

Rev 202406

engineered and manufactured to make installs easier

winnieindustries.com



5420 Newport Dr. Unit 62
Rolling Meadows, IL 60008

224-993-0011
sales@winnieindustries.com