



Bridle Ring

Bridle Ring with Pressed Beam Clamp



Fast and cost-effective alternative cable management solution for voice, data, low voltage or video cabling pathway applications

Features:

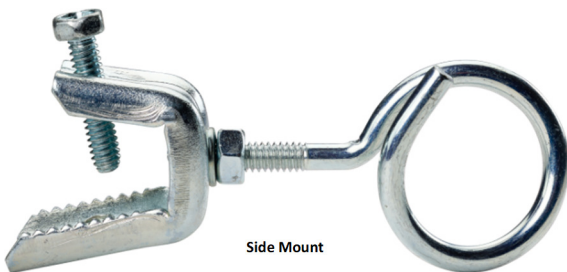
- Crafted from heavy-duty, zinc plated steel which allows for great durability & corrosion resistance
- Available in 1.25" & 2" ring diameter *preassembled* on high-strength, zinc-plated pressed steel clamp with side or bottom mount
- Designed with open loop for quick & easy cable installation
- Pressed beam clamp's serrated jaw provides additional gripping power to securely clamp to flange
- Provides support for CAT5e/CAT6 category cable, low-voltage wire, coax, signal & control cable and electrical wire up to 600V
- Supplied with an installed ¼-20 x 1" combination Philips/slotted hex head machine screw
- UL & CUL listed

Application:

- Provides support in the distribution of wire & cable bundles
 - Network/Data
 - Telcom/Voice
 - Broadband, Satellite, CCTV
 - Low Voltage/Security/Fire Alarm
 - Signal/Control Cable
 - Electrical Wire

Installation:

- Attaches to beam flange up to ½" thick
- Secure with the included bolt using a socket driver or Philips head screwdriver
- Use for horizontal or vertical cable runs





Bridle Ring

Part Numbers

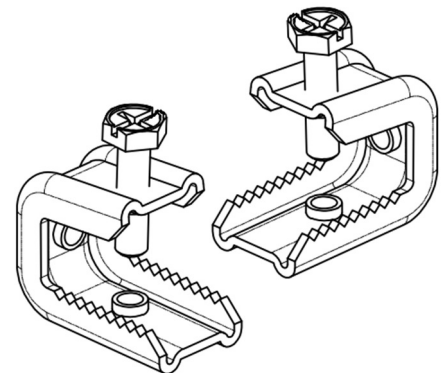
Part #	Description	Box Qty	UPC
WBR125PBCBTM	1-1/4" Bridle Ring, 1/4-20 Thread, Pressed Beam Clamp, Bottom Mount	100	811443030758
WBR200PBCBTM	2" Bridle Ring, 1/4-20 Thread, Pressed Beam Clamp, Bottom Mount	100	811443033827
WBR125PBCSD	1-1/4" Bridle Ring, 1/4-20 Thread, Pressed Beam Clamp, Side Mount	100	811443030765
WBR200PBCSD	2" Bridle Ring, 1/4-20 Thread, Pressed Beam Clamp, Side Mount	100	811443033834

- | Fast and cost-effective way to support category, voice, security, fire alarm and video cable |
- | Fully assembled, ready to install straight from the box saving time and reducing cost |
- | Great low-cost alternative to j hook or cable tray |
- | Can be used horizontally or vertically, making them ideal for multi-directional cable runs |
- | If using a bridle ring with high performance data cable, a saddle is required to ensure proper bend |
- | Non-continuous supports may not exceed spacing of 5' per TIA 569-C.9.7 |



Related Items

Part #	Description
WSSBC	Spring Steel Beam Clamp
WBR200	2" Saddle Only for Bridle Ring
WBR125SSBC	1 1/4" Bridle Ring, 1/4-20 Thread, Spring Steel Beam Clamp, Bottom Mount
WBR200SSBC	2" Bridle Ring, 1/4-20 Thread, Spring Steel Beam Clamp, Bottom Mount
075GRIPTAPE	3/4" Hook & Loop (Self Gripping) Tape, 75 Ft Roll, Black



Specify Winnie...

- ✓ Since 2015
- ✓ Family-Owned & Operated
- ✓ Personal & Friendly Customer Service

Consult & follow local codes and practices



© Winnie Industries, LLC. All Rights Reserved. Drawings are proprietary and may not be copied or used without express written permission.

Rev 202406

engineered and manufactured to make installs easier

winnieindustries.com



5420 Newport Dr. Unit 62
Rolling Meadows, IL 60008

224-993-0011
sales@winnieindustries.com