



O Hook

2" Cable Support O Hook

Cable management solution providing secure, quick & easy routing of cable bundles

Features:

- Heavy duty pre-galvanized steel
- One-part design, push to close to secure cables
- Rounded edges for the proper bend radius of cables
- Ideal for category cable, low-voltage wire, fiber optic cable, innerduct, and flexible conduit
- Easy installation to wall or ceiling
- Saves time as no specialty tools are required for installation
- Eliminates the need for a retention clip
- Supports up to 30 category-size cables

Application:

- Provides support in the distribution of wire & cable bundles
 - Telcom/Voice
 - Network/Data
 - Fiber
 - Broadband, Satellite, CCTV
 - Low Voltage/Security
 - Flexible Conduit

Installation:

- Attaches to wall or ceiling with mounting anchor (not included)





Winnie Industries

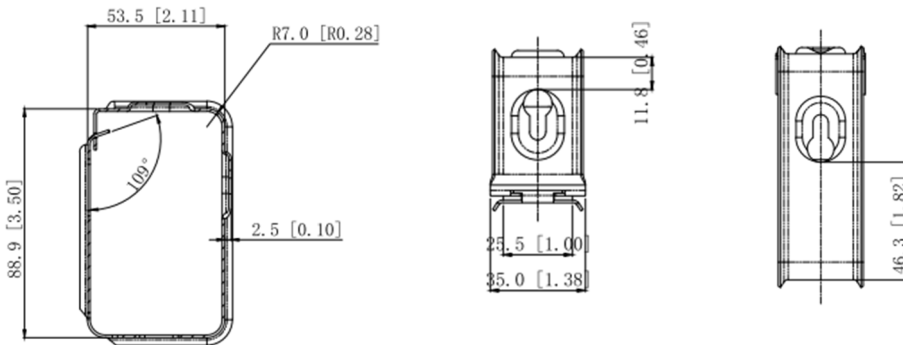
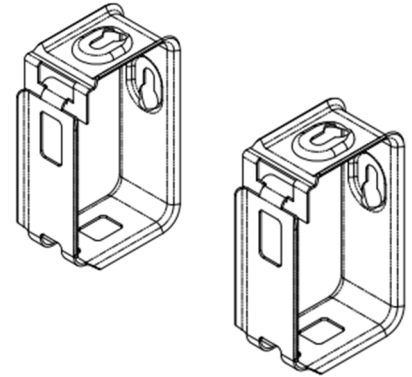
MANUFACTURER OF FASTENING SUPPORTS

O Hook

Part Numbers

Part #	Description	Box Qty	12-digit UPC
WHK200	2" Cable Support O Hook	100	811443032257

- | Lock can be easily opened to add additional wire or cable |
- | Ready to use out of the box, saving installation time and labor |
- | Safe for use above suspended ceilings |
- | Non-continuous supports may not exceed spacing of 5' per TIA 569-C.9.7 |



Related Items

Part #	Description
050GRIPTAPE	.50" Self-Gripping Tape (Hook & Loop), 75 Ft Roll, Black
075GRIPTAPE	.75" Self-Gripping Tape (Hook & Loop), 75 Ft Roll, Black
WJH12	3/4" J Hook

Specify Winnie...

- ✓ Since 2015
- ✓ Family-Owned & Operated
- ✓ Personal & Friendly Customer Service

Consult & follow local codes and practices



© Winnie Industries, LLC. All Rights Reserved. Drawings are proprietary and may not be copied or used without express written permission.

Rev 202403



We understand that not all projects can be fulfilled with off-the-shelf products which is why our Quick Build program can deliver j hook trees or other custom configurations **FAST!!**

engineered and manufactured to make installs easier

winnieindustries.com



5420 Newport Dr. Unit 62
Rolling Meadows, IL 60008

224-993-0011
sales@winnieindustries.com