



# Winnie Industries

MANUFACTURER OF FASTENING SUPPORTS

## Corrosion Resistant

### Stainless Steel J Hook



Corrosion resistant cable management solution for harsh environments in commercial network cable pathway applications

#### Features:

- Time saving and cost-effective alternative compared to using mesh cable basket or ladder tray
- Premium grade 316 stainless steel
- Smooth rounded edges for the proper bend radius of cables
- For all types of category cable, low-voltage wire, coax, innerduct and flexible conduit & tubing
- Provides support for CAT5e, CAT6, CAT6A, CAT7 and fiber optic cables
- Notched to easily collapse to 90° angle allowing for ceiling mount
- Includes wire cable retainer clip\*
- Superior corrosion resistance in aggressive environments and exposure to chlorides, acids, and marine conditions
- Rust resistant
- UL & CUL listed
- Complies with NEC® and TIA/EIA requirements for structured cabling systems

#### Application:

- Provides support in the distribution of wire & cable bundles
  - Telcom/Voice
  - Network/Data
  - Fiber
  - Broadband, Satellite, CCTV
  - Low Voltage/Security
  - Flexible Conduit

#### Installation:

- Attaches to wall with mounting anchor (not included)
- Ceiling mount to 90° angle with top collapsed

\*WJH12xx uses bendable tab for securing wires



engineered and manufactured to make installs easier

[winnieindustries.com](http://winnieindustries.com)



5420 Newport Dr. Unit 62  
Rolling Meadows, IL 60008

224-993-0011  
[sales@winnieindustries.com](mailto:sales@winnieindustries.com)



# Winnie Industries

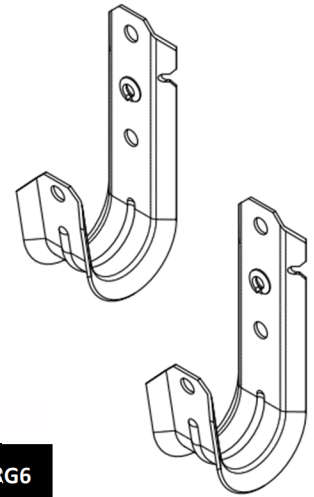
MANUFACTURER OF FASTENING SUPPORTS

## Corrosion Resistant

### Part Numbers

Part #	Description	Box Qty	UPC
WJH12SS	3/4" Data Cabling J Hook, 316 Stainless Steel	100	811443031120
WJH21SS	1 5/16" Data Cabling J Hook, 316 Stainless Steel	100	811443031137
WJH32SS	2" Data Cabling J Hook, 316 Stainless Steel	100	811443031144
WJH64SS	4" Data Cabling J Hook, 316 Stainless Steel	25	811443031151

- |Ready to use out of the box, saving installation time and labor|
- |Very durable in the harshest of conditions|
- |Non-continuous supports may not exceed spacing of 5' per TIA 569-C.9.7|



### Cable Capacity

Part Number	Hook Size	Area (sq in)	Cat 5e	Cat 6	Cat 6A	Cat 7 ScTP/FTP	RG59	RG6
Cable Diameter (inches)			0.19	0.24	0.3	0.33	0.24	0.3
<b>WJH12*</b>	3/4"	0.6	16	10	6	5	9	8
<b>WJH21*</b>	1 5/16"	2.16	53	33	20	18	33	28
<b>WJH32*</b>	2"	3.17	80	50	34	26	48	42
<b>WJH64*</b>	4"	15.28	370	230	150	125	235	200

Cable capacity is based on 70% fill  
 Consult & follow local codes and practices  
 Category cable outside diameter varies by type and manufacturer; consult with cable manufacturer to ensure proper cable outside diameter is being used for calculations



HARSH ENVIRONMENT PRODUCTS

### Uses

Applications	
Food processing & storage	Marine, boats, docks & offshore structures
Healthcare & pharmaceutical	Chemical plants and refineries
Laboratories	Breweries & distilleries
Industrial factories that handle corrosives	Environment with high salt levels



### Specify Winnie...

- ✓ Since 2015
- ✓ Family-Owned & Operated
- ✓ Personal & Friendly Customer Service



WBR4T125SS

WBR4T200SS

Check out our Stainless Steel Bridle Ring



© Winnie Industries, LLC. All Rights Reserved. Drawings are proprietary and may not be copied or used without express written permission.

Rev 202402

engineered and manufactured to make installs easier

winnieindustries.com



5420 Newport Dr. Unit 62  
Rolling Meadows, IL 60008

224-993-0011  
sales@winnieindustries.com