



Winnie Industries

MANUFACTURER OF FASTENING SUPPORTS

J Hook



Data Cabling J Hook

Cable management solution for data centers, connected buildings and other commercial network cable pathway applications



Features:

- Time saving and cost-effective alternative compared to using mesh cable basket or ladder tray
- Heavy duty pre-galvanized steel
- Smooth rounded edges for the proper bend radius of cables
- For category cable, low-voltage wire, coax, innerduct and flexible conduit & tubing
- Provides excellent support for CAT5e, CAT6, CAT6A, CAT7 and fiber optic cables
- Notched to easily collapse to 90° angle allowing for ceiling mount
- Includes wire cable retainer clip*
- UL & CUL listed
- Complies with NEC® and TIA/EIA requirements for structured cabling systems

Application:

- Provides support in the distribution of wire & cable bundles
 - Telcom/Voice
 - Network/Data
 - Fiber
 - Broadband, Satellite, CCTV
 - Low Voltage/Security
 - Flexible Conduit

Installation:

- Attaches to wall with mounting anchor (not included)
- Ceiling mount to 90° angle with top collapsed



WJH96 is not UL listed

*WJH12xx uses bendable tab for securing wires

engineered and manufactured to make installs easier

winnieindustries.com



5420 Newport Dr. Unit 62
Rolling Meadows, IL 60008

224-993-0011
sales@winnieindustries.com



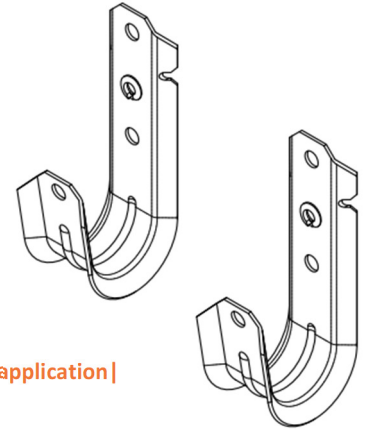
Winnie Industries

MANUFACTURER OF FASTENING SUPPORTS

J Hook

Part Numbers

Part #	Description	Box Qty	12-digit UPC
WJH12	3/4" Data Cabling J Hook	100	811443030000
WJH21	1-5/16" Data Cabling J Hook	100	811443030123
WJH32	2" Data Cabling J Hook	100	811443030246
WJH64	4" Data Cabling J Hook	100	811443030369
WJH96	6" Data Cabling J Hook	25	811443031212



- | Fully versatile J Hook solution with 14 interchangeable fasteners and support brackets |
- | Ready to use out of the box, saving installation time and labor |
- | Available in multiple color options to aid in the identification and organization of the pathway application |
- | Non-continuous supports may not exceed spacing of 5' per TIA 569-C.9.7 |

Cable Capacity

Part Number	Hook Size	Area (sq in)	Cat 5e	Cat 6	Cat 6A	Cat 7 ScTP/FTP	RG59	RG6
Cable Diameter (inches)			0.19	0.24	0.3	0.33	0.24	0.3
WJH12*	3/4"	0.6	16	10	6	5	9	8
WJH21*	1-5/16"	2.16	53	33	20	18	33	28
WJH32*	2"	3.17	80	50	34	26	48	42
WJH64*	4"	15.28	370	230	150	125	235	200
WJH96*	6"		370	230	150	125		

Cable capacity is based on 70% fill
 Consult & follow local codes and practices
 Category cable outside diameter varies by type and manufacturer; consult with cable manufacturer to ensure proper cable outside diameter is being used for calculations

Related Items

Part #	Description
WACEXT	Angle Extension, J Hook Tree Bracket
075GRIPTAPE	.75" Self-Gripping Tape (Hook & Loop), 75 Ft Roll, Black



We understand that not all projects can be fulfilled with off-the-shelf products which is why our Quick Build program can deliver j hook trees or other custom configurations **FAST!!**

Specify Winnie...

- ✓ Since 2015
- ✓ Family-Owned & Operated
- ✓ Personal & Friendly Customer Service



All WJH21, WJH32, WJH64 styles include retaining clips. WJH12 has a bendable tab.



All J Hook attachments use screw and locknut construction, for easy removal.



All J Hooks are easily customized with 14 different fasteners and support brackets for any application.



© Winnie Industries, LLC. All Rights Reserved. Drawings are proprietary and may not be copied or used without express written permission.

Rev 202406

engineered and manufactured to make installs easier

winnieindustries.com



5420 Newport Dr. Unit 62
 Rolling Meadows, IL 60008

224-993-0011
 sales@winnieindustries.com