



Magnetic

Threaded Mounting Pot Magnet 100lb



Amazing strength, cost-effectiveness, and versatility make them ideal for countless holding, mounting, and positioning applications



Features:

- Super-strong neodymium rare earth magnet provides a secure hold onto any ferromagnetic surface
- Protective steel cup directs magnetic field to fastening surface increasing magnetic pull force
- Nickel-plated cup provides excellent wear resistance & hardness
- Sticks through oil, grease, and dirty areas
- Magnets will not interfere with ethernet signals or wi-fi
- Permanent fixation but still provides the flexibility to be repositioned where needed
- Extremely strong, versatile, reliable, and durable in a slim profile design
- 1/4-20 threaded through hole with screw stopping feature
- Threaded hole enables the attachment of a wide variety of brackets, hooks, and other holding attachments
- Long-lasting performance in a variety of indoor & outdoor applications



Application:

- Used in industrial and consumer applications for holding, lifting, and securing objects

Installation:

- Attaches to steel beams, metal joists, electrical boxes, security enclosures and other ferromagnetic surfaces

Specifications:

- Size: 53 x 10mm
- Threaded Hole: 1/4 x 20
- Magnet Grade: N35
- Material: Nickel (NiCuNi)
- Temperature Tolerance: -40°F - 176°F (-40°C - 80°C)
- Cup: Nickel-plated steel



engineered and manufactured to make installs easier





Winnie Industries

MANUFACTURER OF FASTENING SUPPORTS

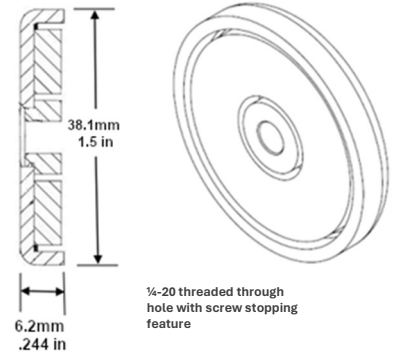
Magnetic

Part Numbers

Part #	Description	Box Qty	12-digit UPC
WMAG1420	Mounting Pot Magnet 100lb	100	811443030628
WMAG1420-10	Mounting Pot Magnet 100lb 10pk	10	811443033100
WMAG1420-N52	Mounting Pot Magnet 100lb N52	100	

N52 neodymium disc magnets are ideal for customers who desire a versatile disc shape, but require more power than popular N42 grade

- | High-quality, compact neodymium magnet with super-strong adhesive force |
- | Add a wide variety of 1/4-20 brackets, hooks, eyebolts or any other holding component |
- | Excellent for optimizing and organizing space anywhere |
- | Corrosion resistant makes them ideal for harsh environments or industrial applications |
- | Ideal for use in workstations, classrooms, offices, warehouses, factories |



Uses

Applications	
Marine	Agricultural Industry
Car Lifts	Routing Conduit
Trailer & Car Frames	Routing Low Voltage Wire
Retail Signs	Holding Tools to Work Bench
Warehousing & Forklifts	Holding Temporary Wiring
Holding Sensor Wiring on Tooling	Healthcare
Securing Hydraulic Lines	Stage, Theater & Concerts
Automation Robotics	Solar Steel Structures
Transportation Industry	Wind Turbines
Renewable Energy	Oil & Gas Rigs
Hydrogen Fuel Facilities	Arts & Crafts
Bulk Tanks & Storage Silos	And Much More

Use With		
Plenum Ceilings	Electrical Boxes	Communication Towers
Access Control Panels	Enclosures	Building Service Entrance
Bar Joists	Wire Baskets	Ceiling Deck Pans
Walk In Coolers	Strut Channels	Raised Floors
Walk In Freezers	Inside Panels	Cable Trays
Drop Ceiling Grid	Outside Panels	Steel Beams
Pallet Racks	Machinery/Presses	Metal Studs
Data Racks	Data Cabinets	Sprinkler Pipes

Related Items

Part #	Description
WMAG1420HLBK	Magnetic Hook & Loop Mount 100lb Black

Specify Winnie...

- ✓ Since 2015
- ✓ Family-Owned & Operated
- ✓ Personal & Friendly Customer Service



© Winnie Industries, LLC. All Rights Reserved. Drawings are proprietary and may not be copied or used without express written permission.

Rev 202403

- + Please handle neodymium magnets with care
- + Keep neodymium magnets away from anyone with a pacemaker
- + Magnets are not toys and should be kept away from children and pets
- + Large powerful magnets can pinch your fingers or cause other injuries, use caution

engineered and manufactured to make installs easier

winnieindustries.com



5420 Newport Dr. Unit 62
Rolling Meadows, IL 60008

224-993-0011
sales@winnieindustries.com