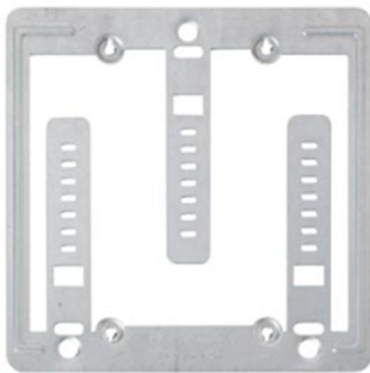




Bracket

Low Voltage Drywall Bracket

Provides an easy & cost-effective solution for mounting low voltage, audio/video & network outlets from drywall



Features:

- Manufactured using pre-galvanized steel
- Designed to fit 1/2" to 1-1/2" drywall
- Drywall bracket eliminates the need for electrical box
- Compatible with all standard single or double gang faceplates
- Ideal for retrofit & adding outlets after construction
- Provides for a clean aesthetic in both commercial and residential applications
- For low-voltage Class 2 applications only

Application:

- Provides base support to attach multiple low-voltage apparatus

Installation:

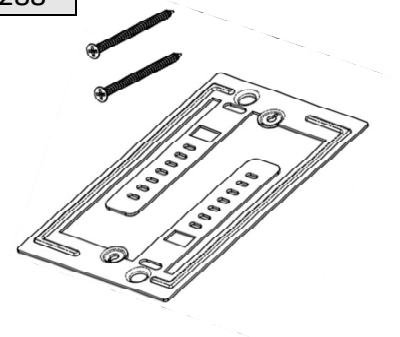
- Mounts directly to drywall, tile, or plaster using bend-around tabs & drywall screws
- Easily installs with only a drywall saw and screwdriver

Part Numbers

Part #	Description	Box Qty	12-digit UPC
WCMB-1	Low Voltage Drywall Bracket, Single-Gang	100	811443032271
WCMB-2	Low Voltage Drywall Bracket, Double-Gang	100	811443032288

Specify Winnie...

- ✓ Since 2015
- ✓ Family-Owned & Operated
- ✓ Personal & Friendly Customer Service



Consult & follow local codes and practices
WCMB-x is designed for positioning only
No load rating

© Winnie Industries, LLC. All Rights Reserved. Drawings are proprietary and may not be copied or used without express written permission.

Rev 202405

engineered and manufactured to make installs easier

winnieindustries.com



5420 Newport Dr. Unit 62
Rolling Meadows, IL 60008

224-993-0011
sales@winnieindustries.com