



Attachment

Spring Steel Beam Clamp for 1/8"-1/2" Flange

Provides a mounting base for quickly and easily fastening cable management hardware to an I-beam or girder



Features:



- Spring steel with black oxide finish
- 3/4 in jaw opening fits flanges 1/8" up to 1/2" thick
- Serrated jaw for additional gripping power to securely clamp to flange
- Universal design allows for use with a multitude of cable management hardware
- 1/4" x 20 threaded holes tapped on the back and bottom
Accommodates standard 1/4"-20 or #10-24 threaded bridle ring
- 3/8" through hole on the top and bottom
- Supplied with an installed 1/4-20 x 1" combination Philips/slotted hex head machine screw
- UL & CUL listed

Application:

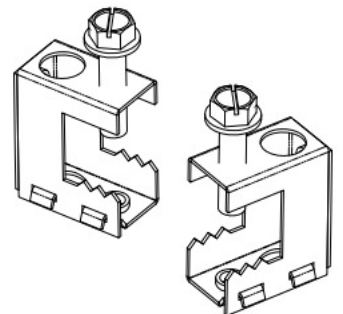
- Provides base support for 1/4" and 3/8" threaded rod, S-hooks, electrical boxes, conduit, bridle rings, camera mounts, and other cable management hardware

Installation:

- Attaches to beam flange up to 1/2" thick
- Secure with the included bolt using a 3/8" socket driver or Philips head screwdriver

Part Numbers

Part #	Description	Box Qty	12-digit UPC
WSSBC	Spring Steel Beam Clamp, 1/8"-1/2" Flange	100	811443030512



Consult & follow local codes and practices



Specify Winnie...

- ✓ Since 2015
- ✓ Family-Owned & Operated
- ✓ Personal & Friendly Customer Service

© Winnie Industries, LLC. All Rights Reserved. Drawings are proprietary and may not be copied or used without express written permission.

Rev 202403

engineered and manufactured to make installs easier

winnieindustries.com



5420 Newport Dr. Unit 62
Rolling Meadows, IL 60008

224-993-0011
sales@winnieindustries.com