



# Winnie Industries

MANUFACTURER OF FASTENING SUPPORTS

## Deep Electrical Junction Box

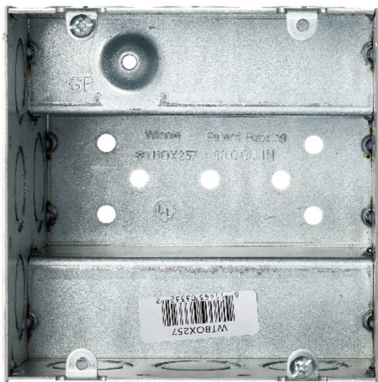
### T BOX™ 4-11/16" Square



Eliminate the need for bends or offsets by allowing conduit runs to enter straight into the box

#### Features:

- Galvanized steel construction
- Welded design for strength and ease of use
- 60 cubic inch capacity
- Extra deep for added volume and wire bending space
- Double gang
- Access to side knockouts in all directions
- 1", 3/4" and 1/2" knockouts
- (2) 1"-3/4" knockouts
- (12) 3/4"-1/2" knockouts
- (2) 8-32 combination Phillips/slotted screws
- Raised ground for easy install
- Accepts standard 4-11/16" square devices and flat covers
- Tested in accordance with UL 514-A and CSA C22.2 No. 18.1 standard for metallic outlet boxes
- UL & CUL Listed



US Patent Pending

#### Application:

- Ideal for use in commercial or industrial applications where larger-sized conductors or wiring devices are needed
- Suitable for use without a bonding jumper in circuits up to 600 volts

#### Installation:

- Direct ceiling mount to joist or strut
- Ideal for exposed ceiling applications
- With appropriate fittings, T Box™ may be used with conduit, metal-clad (MC) cable, or nonmetallic-sheathed (NM) cable

Consult & follow local codes and practices



engineered and manufactured to make installs easier

[winnieindustries.com](http://winnieindustries.com)



5420 Newport Dr. Unit 62  
Rolling Meadows, IL 60008

224-993-0011  
[sales@winnieindustries.com](mailto:sales@winnieindustries.com)



# Winnie Industries

MANUFACTURER OF FASTENING SUPPORTS

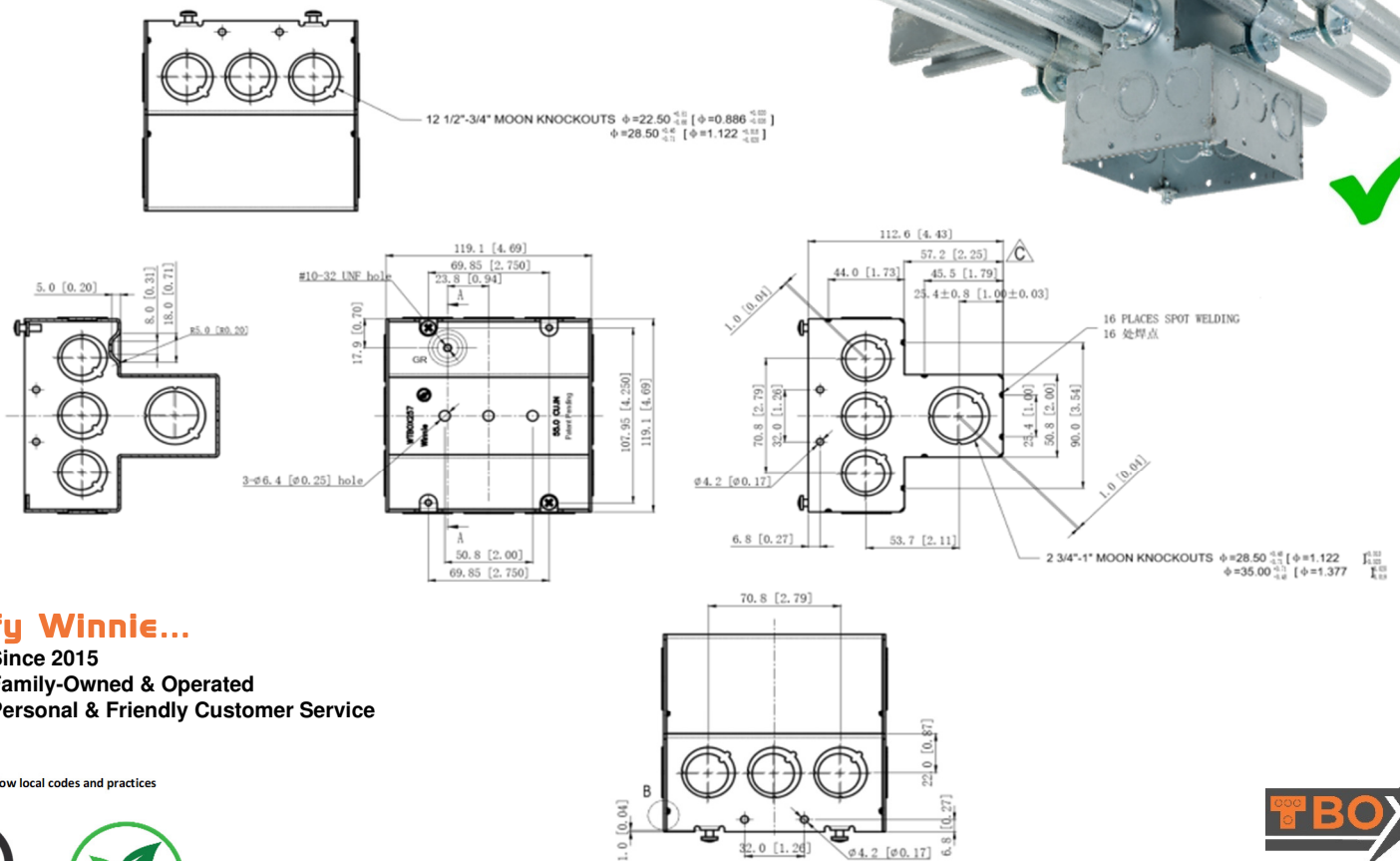
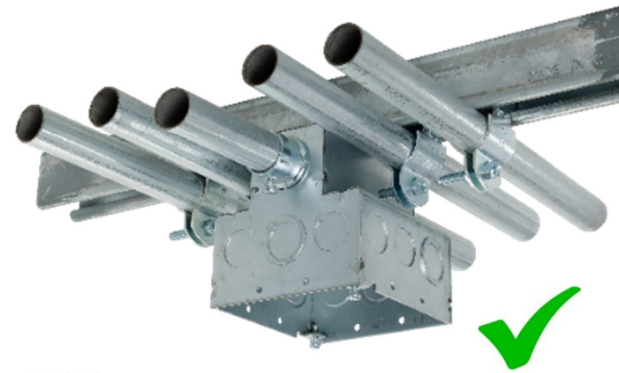
## Deep Electrical Junction Box

### Part Numbers

Part #	Description	Box Qty	12-digit UPC
WTBOX257	T Box 4-11/16" Square Junction Box	10	811443033322



- | Save on labor costs and installation time by eliminating conduit bends |
- | Increased capacity accommodates large devices in industrial applications |
- | Eliminates the need for extension rings to accommodate deep devices |
- | More space than normal 4-11/16" square 2-1/8" deep electrical box |



### Specify Winnie...

- Since 2015
- Family-Owned & Operated
- Personal & Friendly Customer Service

Consult & follow local codes and practices



© Winnie Industries, LLC. All Rights Reserved. Drawings are proprietary and may not be copied or used without express written permission.

Rev 202404

engineered and manufactured to make installs easier

winnieindustries.com



5420 Newport Dr. Unit 62  
Rolling Meadows, IL 60008

224-993-0011  
sales@winnieindustries.com