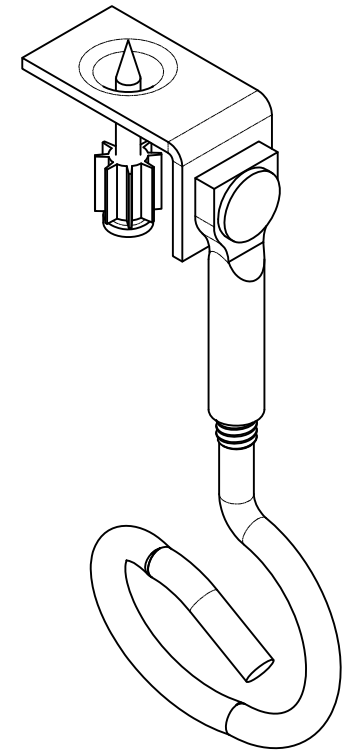
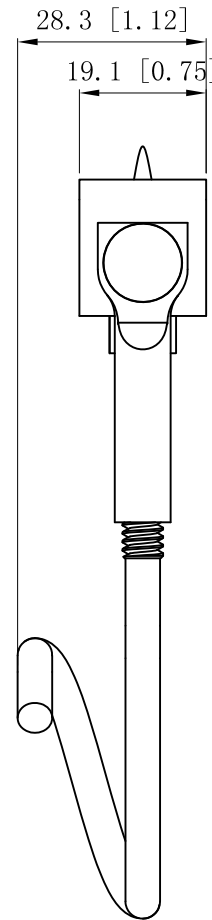
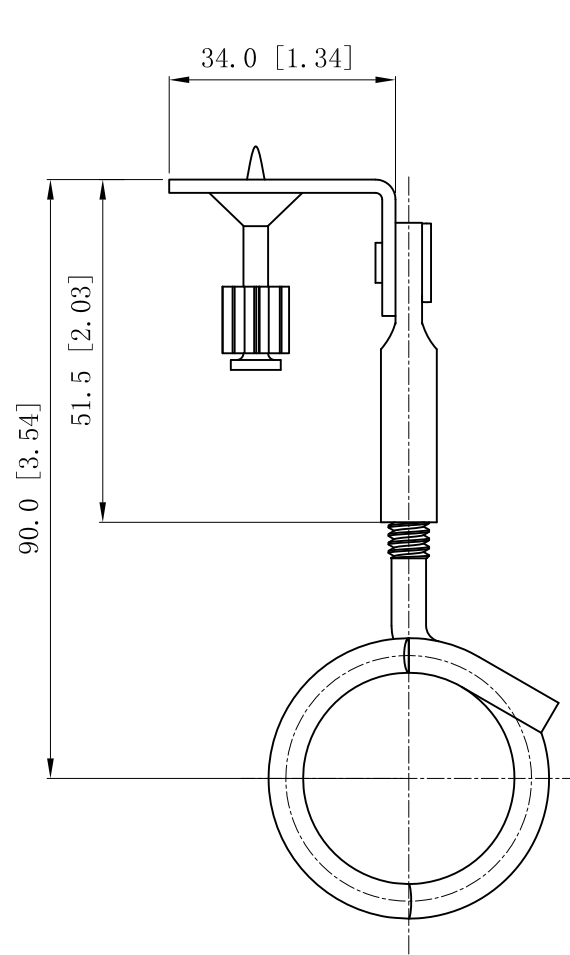


| REVISIONS | | |
|-----------|-----|-----------|
| SYM. | BY. | REVISIONS |
| A. | | |
| | | |



NOTES:

- 1.All dimensions in millimeters and [inches];
- 2.Material:Steel C1008~C1018 ,
Finish:Zinc plated ,thickness:0.005mm[0.0002in];
- 3.Free of sharp edge and burrs.max burr 0.127[0.005];

| | | |
|--------------------------|-----------------------------|-----|
| WINNIE INDUSTRIES | | |
| SIZE A4 | DWG NO. WACTBR125 | REV |