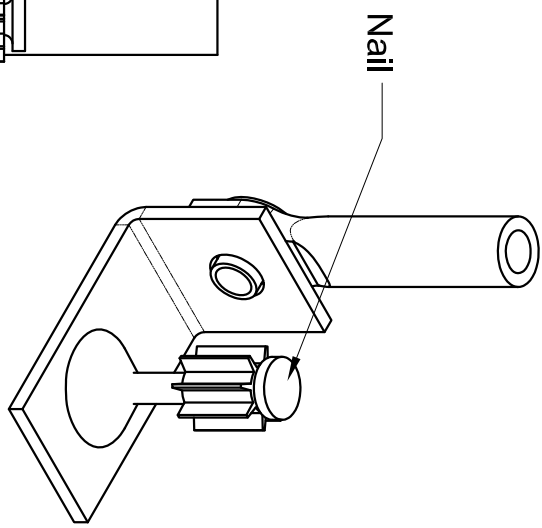
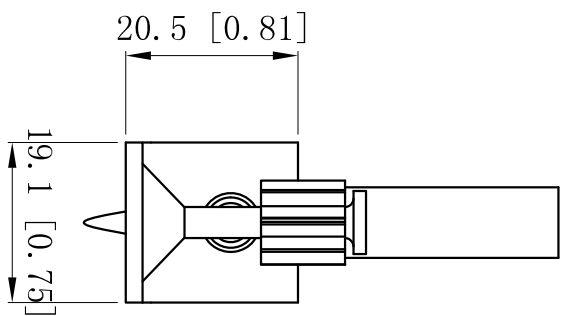
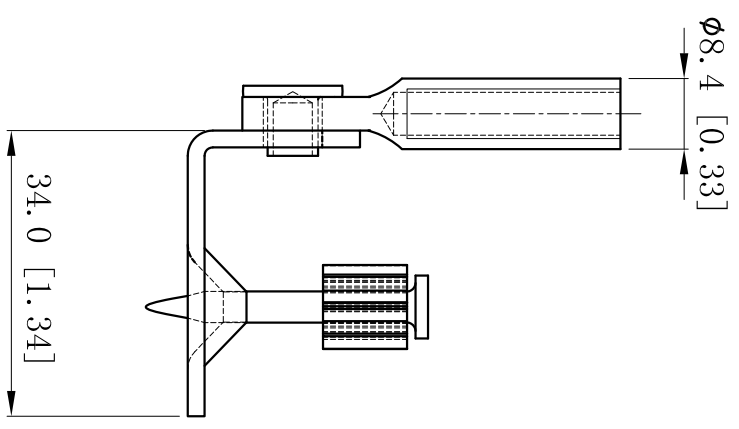
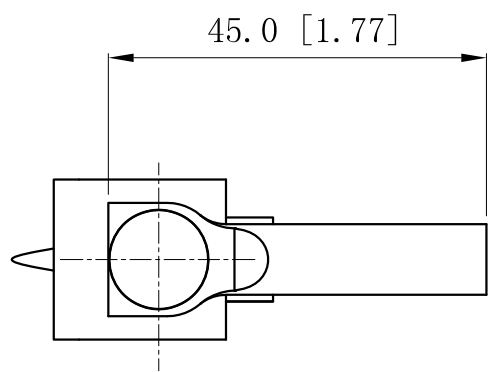
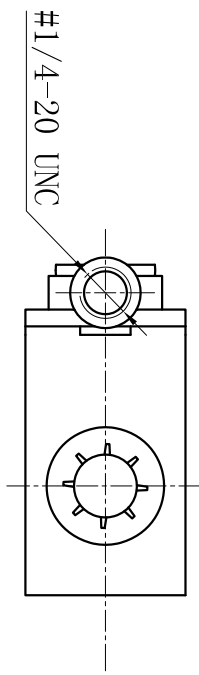


REVISIONS		
SYM.	BY.	DATE
A		



WINNIE INDUSTRIES

- NOTES:
1. All dimensions in millimeters and [inches];
 2. Material: C.R.S steel . thickness: 2.00mm [0.079];
Finish: zinc plated;
 3. Free of sharp edge and burrs. max burr 0.127 [0.005].

WINNIE INDUSTRIES		
SIZE	DWG NO.	REV
A4	WACTUATED4T	