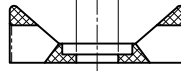
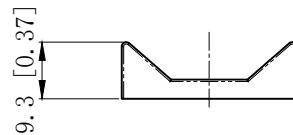
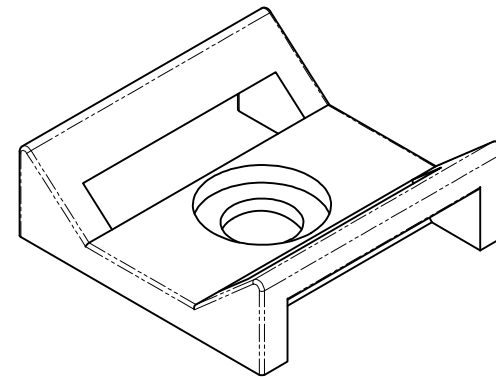
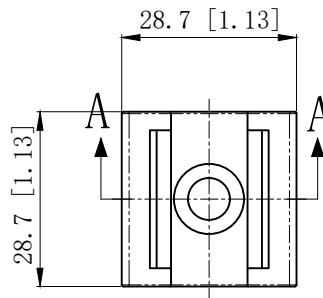
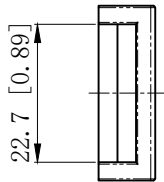


$\phi 6.9$ [0.27]



VIEW A-A



NOTES:

- 1.All dimensions in millimeters and [inches];
- 2.Material:PA66,UL94V0,black;
- 3.Free of sharp edge and burrs,max burr 0.127[0.005];

WINNIE INDUSTRIES

SIZE
A4

DWG NO.
CTV100UV

REV