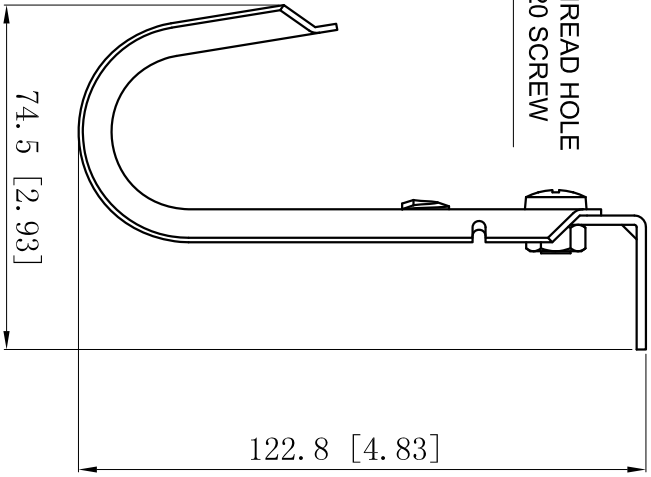
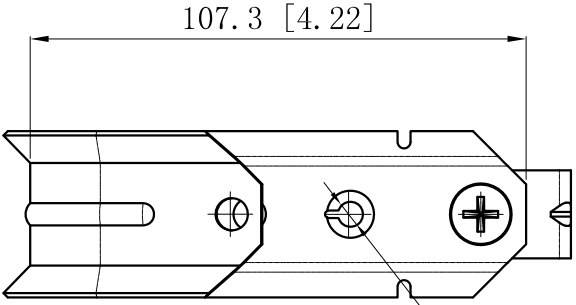
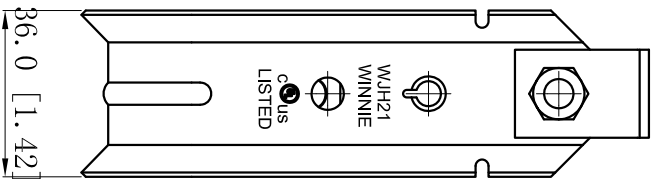
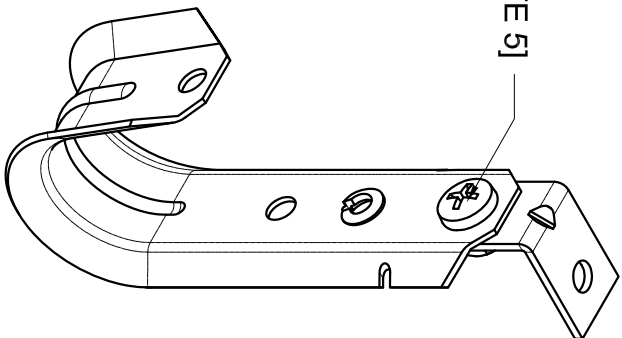


IT IS PUNCHING THREAD HOLE FOR FITTING #1/4-20 SCREW



122.8 [4.83]

#1/4-20 [SEE NOTE 5]



WJH21  
WINNIE  
c/us  
LISTED

**NOTES:**

1. All dimensions in millimeters and [inches];
2. Free of sharp edge and burrs. max burr 0.127[0.005].
3. Material: Pre galvanized ( G60) , Thickness: 1.35mm [0.053].
4. Every carton need one instruction sheet, the instruction need spring front and back
5. 1pcs #1/4-20 x 3/8 combo philips/slotted round head machine screw. zinc plated;
6. 1pcs #1/4-20 nut. zinc plated.

WINNIE INDUSTRIES		
SIZE	DWG NO.	REV
A4	WJH21AC	