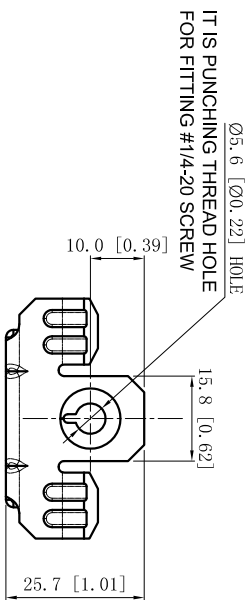
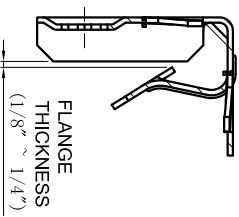


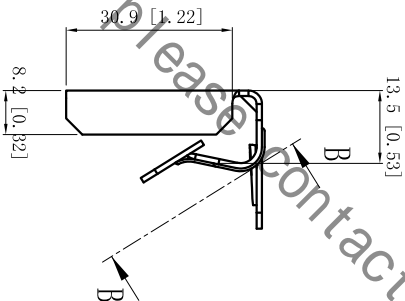
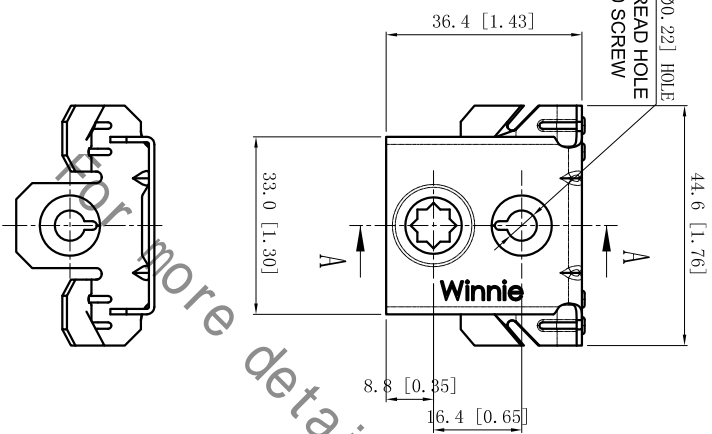
REVISIONS		
SYM.	BY.	DATE
A		



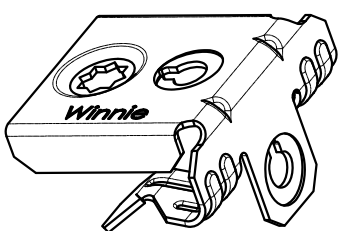
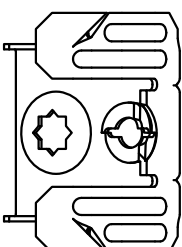
Ø5.6 [Ø0.22] HOLE
IT IS PUNCHING THREAD HOLE FOR FITTING #1/4-20 SCREW



CUTAWAY VIEW A-A



CUTAWAY VIEW B-B



- NOTES:
1.All dimensions in millimeters and [inches];
2.Material:C1065 spring steel .thickness:.120mm[0.047].
Finish: Dacromet;
3.Free of sharp edge and burrs,max burr 0.127[0.005].

WINNIE INDUSTRIES		
SIZE	DWG NO.	REV
A4	WM24	