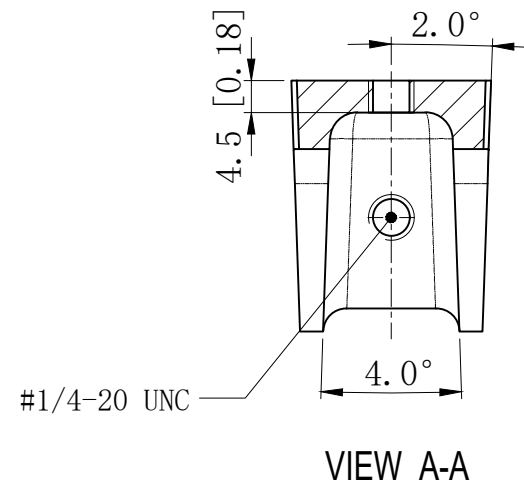
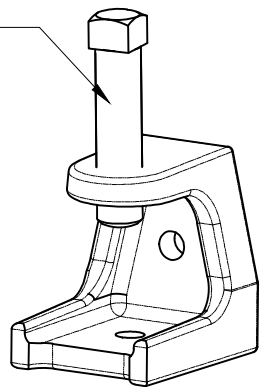


#5/16-18×1-1/4  
[SEE NOTE 4]



**NOTES:**

1. All dimensions in millimeters and [inches];
2. Material: malleable casting, Finish: Zinc plated;
3. Free of sharp edge and burrs. max burr 0.127 [0.005];
4. #5/16-18×1-1/4 square head cup point set screw, case harden, Finish: zinc plated;

WINNIE INDUSTRIES

SIZE A4	DWG NO. WMBC4T	REV
------------	-------------------	-----