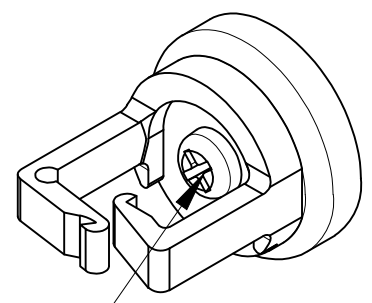


[SEE NOTE 3]

CUTAWAY VIEW A-A

[SEE NOTE 2]



- NOTES:  
 1. All dimensions in millimeters and [inches];  
 2. M3x5 combo philips/slotted round head machine screw ,zinc plated;  
 3. M3 hex nuts, zinc plated.

Item Number	Colour
WMCH050BK	Black
WMCH050WH	White

WINNIE INDUSTRIES		
SIZE A4	DWG NO. WCH075	REV