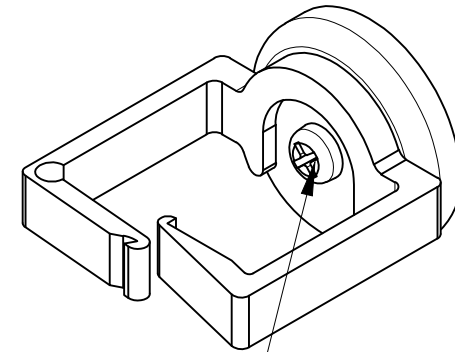
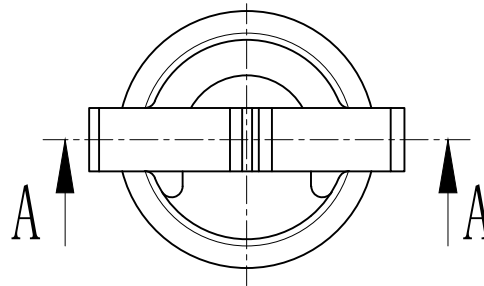
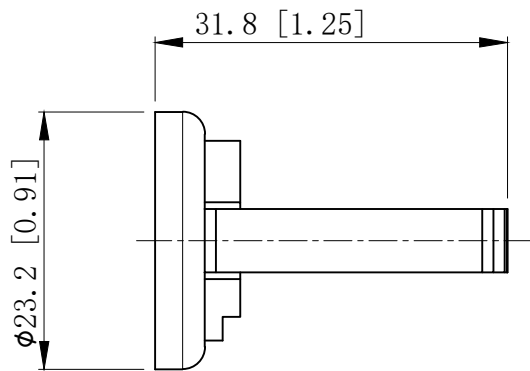


[SEE NOTE 3]

CUTAWAY VIEW A-A



[SEE NOTE 2]



NOTES:

1. All dimensions in millimeters and [inches];
2. M3×5 combo philips/slotted round head machine screw ,zinc plated;
3. M3 hex nuts, zinc plated.

Item Number	Colour
WMCH100BK	Black
WMCH100WH	White

WINNIE INDUSTRIES		
SIZE A4	DWG NO. WCH075	REV