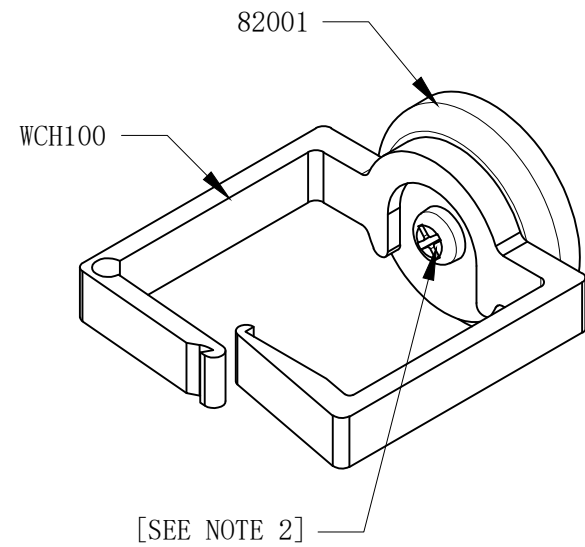
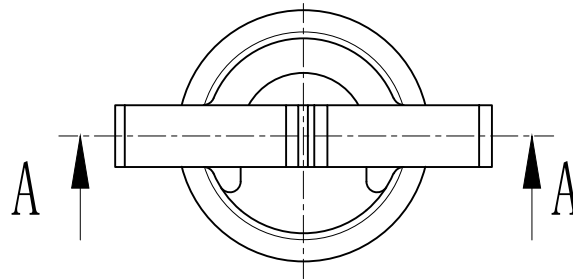


CUTAWAY VIEW A-A



NOTES:

1. All dimensions in millimeters and [inches];
2. M3x5 combo philips/slotted round head machine screw, zinc plated;
3. M3 hex nuts, zinc plated..

Item Number	Colour
WMCH125BK	Black
WMCH125WH	White

WINNIE INDUSTRIES		
SIZE A4	DWG NO. WCH075	REV