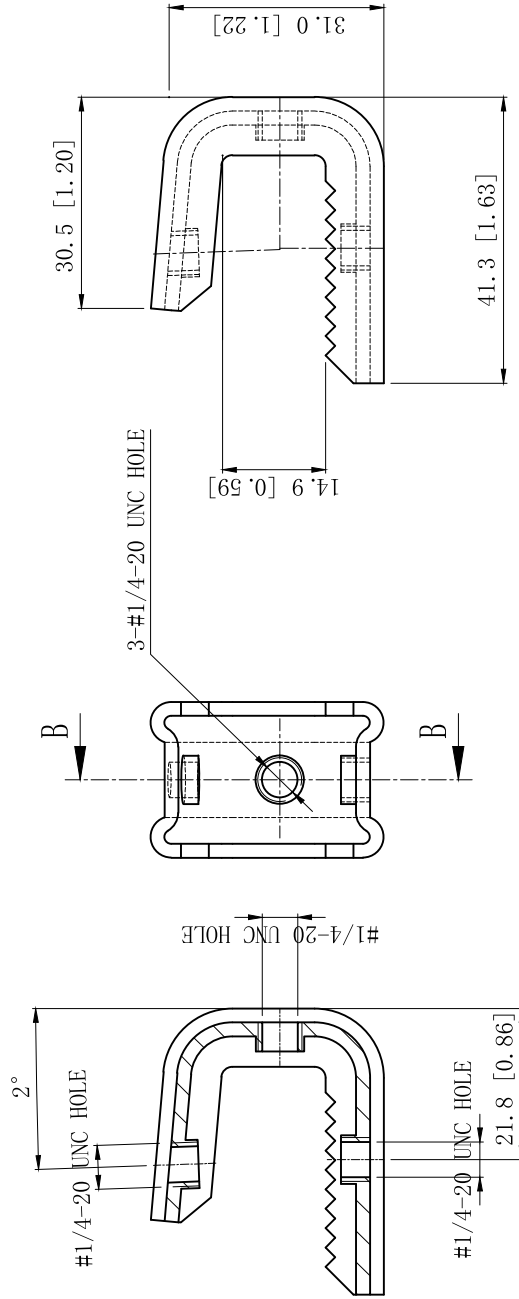
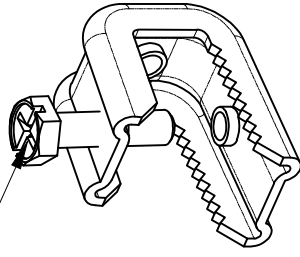


1/4-20 UNC [SEE NOTE 4]



CUTAWAY VIEW B-B

NOTES:

1. All dimensions in millimeters and [inches];
2. Material: C.R.S. thickness: 2.0mm [0.079],
Finish: Zinc plated;
3. Free of sharp edge and burrs. max burr 0.127 [0.005];
4. #1/4-20 x 1 combo philips/stotted hex head cup point machine screw, case hardness;
Finish: zinc plated.

WINNIE INDUSTRIES

SIZE
A4

DWG NO.

WPBC

REV